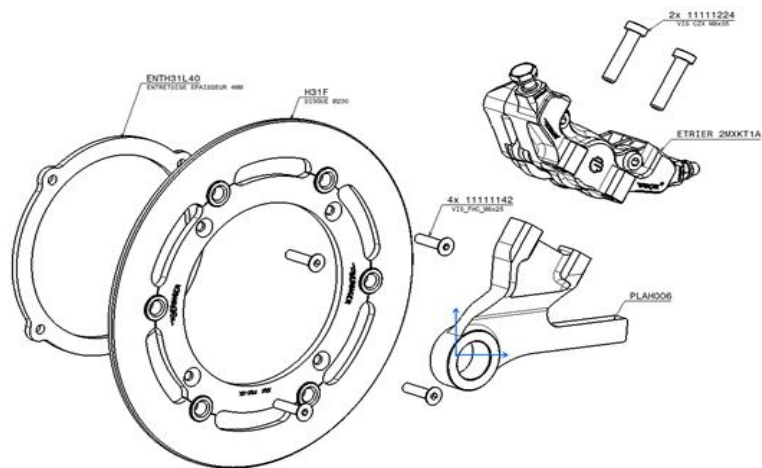


Model	Rear Bracket	Rear Caliper	Rear Disc	Rear Disc Spacer	Rear master cylinder with aluminium square reservoir (MC127 90°)	Rear master cylinder with plastic round reservoir	Rear master cylinder bracket	Hose	Comments
250 CRF 2015 -->	PLAH006S	2MXKT1A	H31F	ENTH31L40					
450 CRF --> 2014									
450 CRF 2015 -->	PLAH006S	2MXKT1A	H31F	ENTH31L40		MC127+BO1	PLAH007		
500 CR 95-->03									
Suzuki									
250 RMZ	PLAS008	2MXKT1A	S29F	ENTS29L60	MC12790 RSV MC127		PLAS009	530 0°/90°	
450 RMZ	PLAS008	2MXKT1A	S29F	ENTS29L60	MC12790 RSV MC127		PLAS009	530 0°/90°	
Kawasaki									
85 KX									
250 KXF	PLAK004	2MXKT1A	K32F	ENTK32L60		MC127+BO1	PLAK005B		
450 KXF	PLAK004	2MXKT1A	K32F	ENTK32L60		MC127+BO1	PLAK005B		
TM									
TM85 --> 2019									
TM85 2020-->									
TM250 and more	PLATM001	2MXKT1A	TM5F	ENTM5F	MC12790 RSV MC127		PLATM002	530 20°/90°	



Liste Application MX

Model	Front caliper	Disc	Braking master cylinder	Comments	Clutch control	Comments
Yamaha						
85 yz	4MXY13A	Y22L (254 mm)	BRO10	hose 123 cm	CC	
125 YZ	4MXY12A	Y20L (291 mm)	BRO10	hose 132cm Strut 3 mm ENTY20L30	CC	
250 YZ	4MXY12A	Y20L	BRO10	hose 132cm Strut 3 mm ENTY20L30	CC	
250 YZF	4MXY12A	Y20L	BRO10	hose 132cm Strut 3 mm ENTY20L30	CC	
450 YZF	4MXY12A	Y20L	BRO10	hose 132cm Strut 3 mm ENTY20L30	CC	
450 WRF	4MXY14A	Y20L	BRO10	hose 140 cm	CC	Banjo Stop + KITCS3 on CC Commander diabolos retro pas à gauche tendeur câble long
Gas Gas						
MC 85 2021-->	4MXKT14A	KT5L (254 mm)	BRO10	+ hose 116 cm	CRO8	Special hose M8/M10
MC 125 2021-->	4MXKT13A	KT6L (291 mm)	BRO10	hose 132 cm Strut 2 mm ENTKT6L20	CRO8	
MC 250F 2021-->	4MXKT13A	KT6L (291 mm)	BRO10	hose 132 cm Strut 2 mm ENTKT6L20	CRO8	
KTM/Husqvarna						
85 sx / Tc 2021-->	4MXKT14A	KT5L (254 mm)	BRO10	+ hose 116 cm	CRO8	Special hose M8/M10
85 sx / Tc 2013-->2020	4MXKT11A	KT5L (254 mm)	BRO10	4 x washer Z8 +2 vic CHC M8 x 50 + hose 116 cm	CRO8	Special hose M8/M10
Free Ride E-XC	4MXKT11A	KT5L (252 mm)	BRO10	4 x washer Z8 +2 vic CHC M8 x 50 + hose 116 cm	CRO8	CRO8 for rear brake with 2MXKT1A caliper KT13F disc
125 sx / Tc	4MXKT13A	KT6L (291 mm)	BRO10	hose 132 cm Strut 2 mm ENTKT6L20	CRO8	--> 2015 added seal ref 11111603 for DOT4
250 sx / Tc	4MXKT13A	KT6L (291 mm)	BRO10	hose 132 cm Strut 2 mm ENTKT6L20	CRO8	--> 2015 added seal ref 11111603 for DOT4
250 /350 sxf / Fc	4MXKT13A	KT6L (291 mm)	BRO10	hose 132 cm Strut 2 mm ENTKT6L20	CRO8	--> 2015 added seal ref 11111603 for DOT4

Model	Front caliper	Disc	Braking master cylinder	Comments	Clutch control	Comments
450 sxf / Fc	4MXKT13A	KT6L (291 mm)	BRO10	hose 132 cm Strut 2 mm ENTKT6L20	CRO8	--> 2015 added seal ref 11111603 for DOT4
Honda						
150 crf	4MXKT11A	H28L(252)	BRO10	hose 116 cm +2 vic CHC M8 x 50 Strut 3 mm ENTH28L30	CC	+ Axial/radial Bracket PLAMXH32RAD
250 crf -->2014	4MXH17A	H17L (291 mm)	BRO10	hose 132 cm --> 2014 Strut 1 mm ENTH8L10	CC	
250 crf 2015-->	4MXH18A	H17L	BRO10	hose 132 cm 2015--> Strut 1 mm ENTH8L10	CC	
450 crf -->2014	4MXH17A	H17L	BRO10	hose 132 cm --> 2014 Strut 1 mm ENTH8L10	CC	
450 crf 2015-->	4MXH18A	H17L	BRO10	hose 132 cm 2015--> Strut 1 mm ENTH8L10	CC	
450 crf 2021-->	4MXH18A	H17L	BRO10	hose 132 cm 2015--> Strut 1 mm ENTH8L10	CRO9	
500 CR 95-->03	4MXY14A	H17L	BRO10	hose 132 cm Strut 1 mm ENTH8L10	CC	
Suzuki						
250 rmz	4MXXRC11A	S22L (291 mm)	BRO10	hose 132 cm + 4 screw TBHC M6 x 25	CC	
450 rmz	4MXXRC11A	S22L	BRO10	hose 132 cm + 4 screw TBHC M6 x 25	CC	
Kawasaki						
85 kx	4MXK13A	K20L (254 mm)	BRO10	hose 140 cm-->2015 -->2016 hose 123 cm	CC	
250kxf	4MXXRC11A	K16L (291 mm)	BRO10	hose 132 cm Strut 1 mm ENTK16L10	CC	
450 kxf	4MXXRC11A	K16L	BRO10	hose 132 cm Strut 1 mm ENTK16L10	CC	
TM						

Model	Front caliper	Disc	Braking master cylinder	Comments	Clutch control	Comments
TM85 -->2019	4MXTM11A	TM3L (254 mm)	BRO10	BER123		
TM85 2020-->	4MXTM13A	TM3L (254 mm)	BRO10	BER123		
TM>250	4MXTM12A	TM4L (292mm)	BRO10	Marzochi=HU1 BER132	CRO8	
TM>250 --2022	4MXKT13A	TM4L (292mm)	BRO10	Kayaba = KT13 BER132	CRO8	